



Spareparts



CM 210/10/3 W BOXER

CE

Bestelnr./N° de cde. 25195

CM 210/10/15 W BOXER

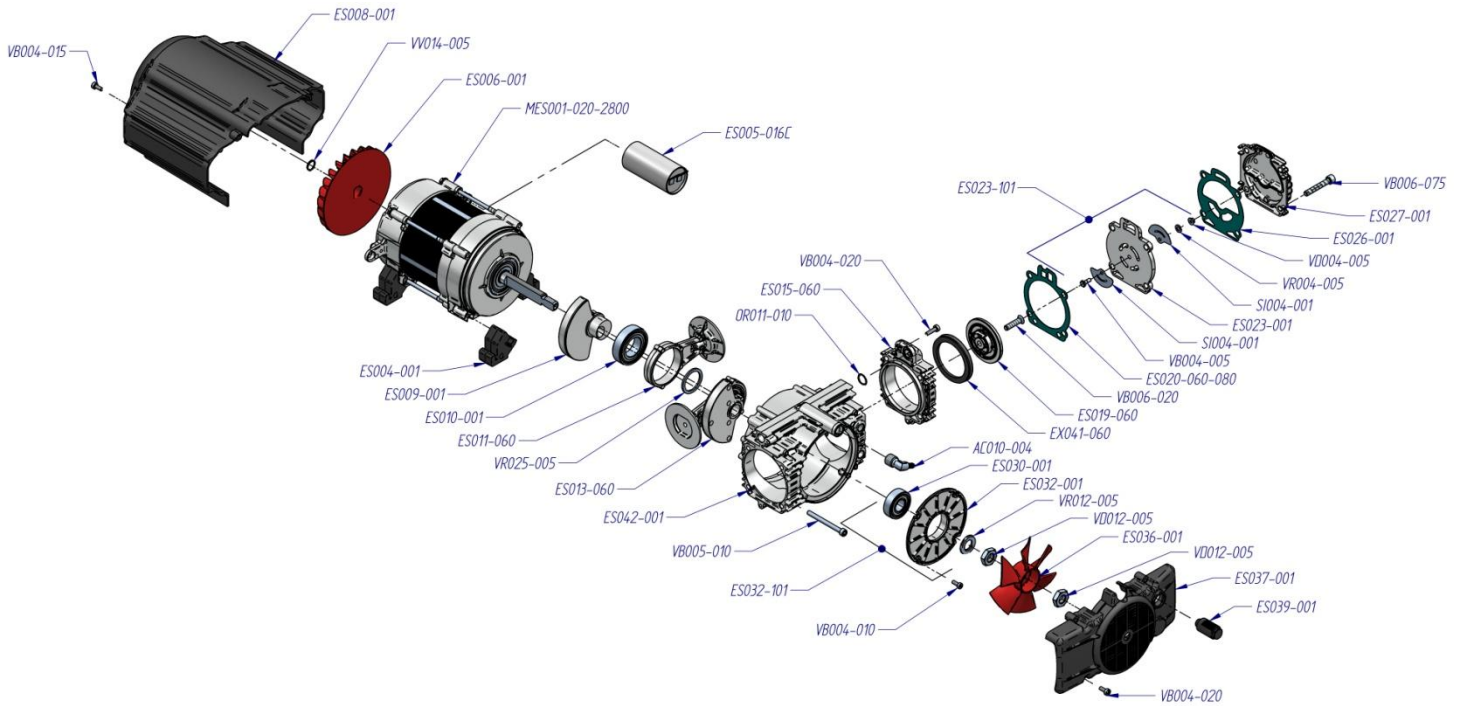
CE

Bestelnr./N° de cde. 25198

CM 110/8/15 W BOXER SILENT

CE

Bestelnr./N° de cde. 25200



CODE	DESCRIPTION	CODE	DESCRIPTION	CODE	DESCRIPTION
AC010-004	Pipe fitting "L"	ES023-001	Valve plate	VB004-005	Screw
ES004-001	No-vibration rubber	ES023-101	Valve plate complete	VB004-010	Screw
ES005-016C	Condenser 16 μ F	ES026-001	Head gasket	VB004-015	Screw
ES005-020C	Condenser 20 μ F	ES027-001	Head	VB004-020	Screw
ES006-001	Plastic fan of electric motor "RED"	ES030-001	Bearing	VB005-010	Screw
ES008-001	Plastic cover fan and motor "BLACK"	ES032-001	Flange	VB006-020	Screw
ES009-001	Crank	ES032-101	Flange with bearing	VB006-075	Screw
ES010-001	Bearing	ES036-001	Plastic fan of compressor "RED"	VD004-005	Nut
ES011-060	Connecting rod 60 mm	ES037-001	Plastic cover fan "BLACK"	VD012-005	Nut
ES013-060	Connecting rod complete	ES039-001	Suction filter	VR004-005	Washer
ES015-060	Cylinder 60 mm	ES042-001	Monoblock	VR012-005	Washer
ES019-060	Piston top 60 mm	EX041-060	Piston seal	VR025-005	Washer
ES020-060-030	Cylinder 60 mm gasket 0,30 mm	MES001-020-2800	Electric motor 0,7 Hp 230 Volt 50 Hz 2800 rpm	VV014-005	Safety ring
ES020-060-050	Cylinder 60 mm gasket 0,50 mm	OR011-010	O-ring		
ES020-060-080	Cylinder 60 mm gasket 0,80 mm	SI004-001	Valve		